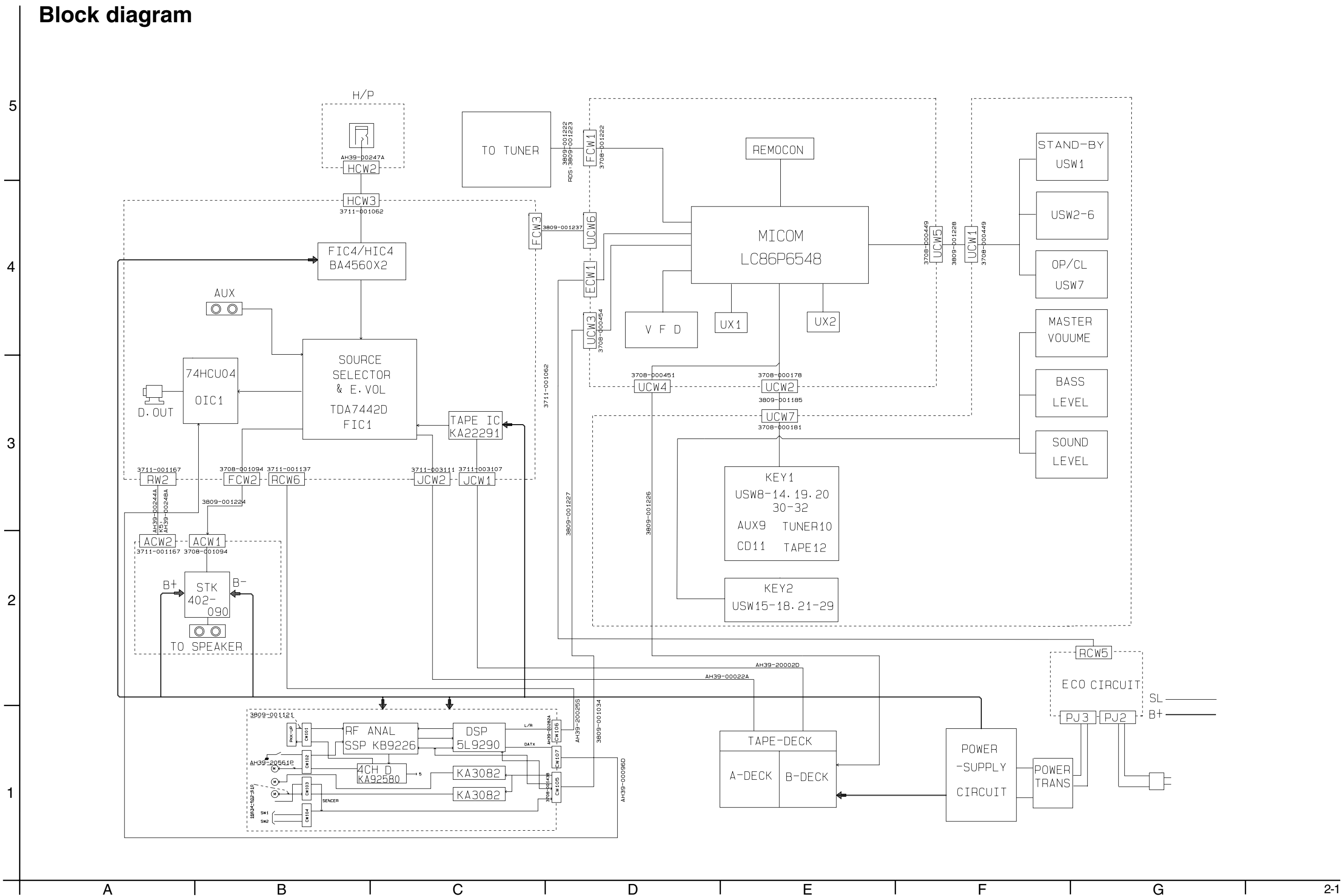


# Block diagram



# Standard schematic diagrams

## ■ Main section

SHEET 2/6

5

4

3

2

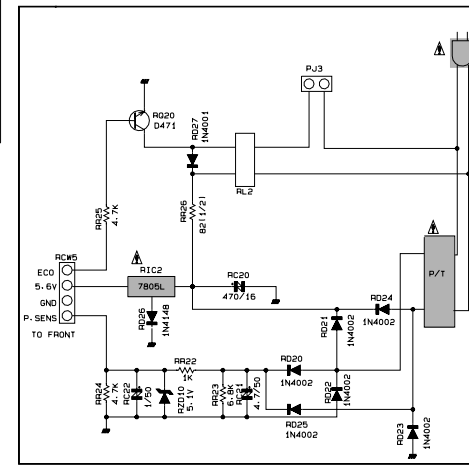
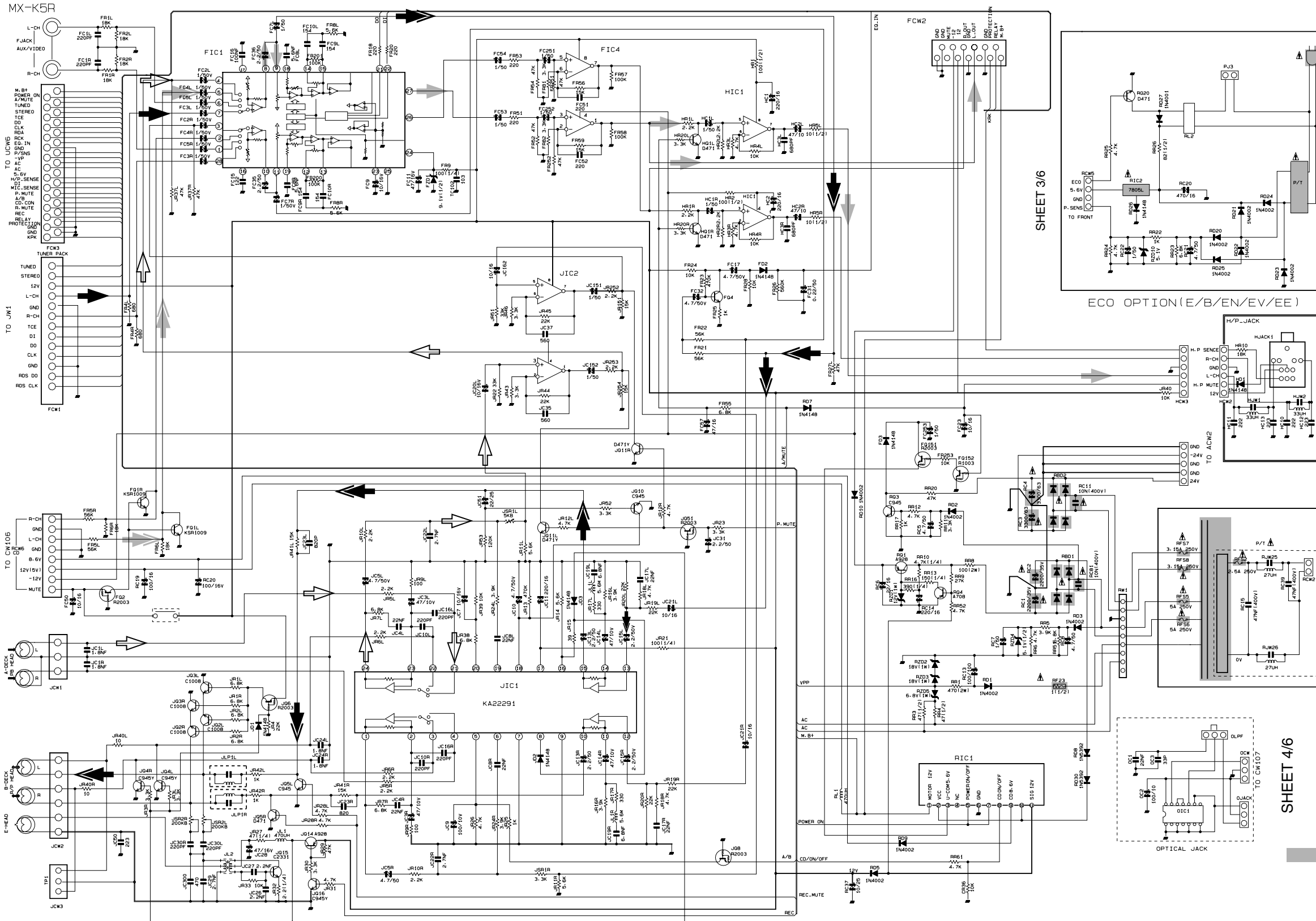
1

SHEET 5/6 (B, E, EN, EV)  
SHEET 6/6 (EE)

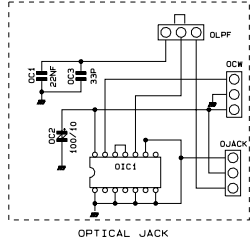
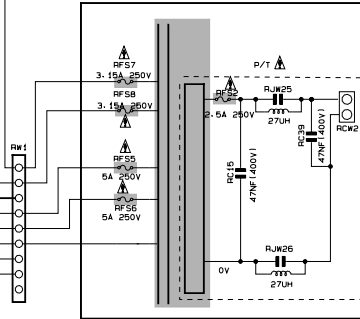
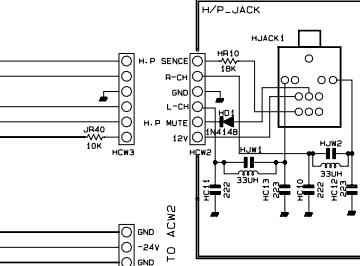
SHEET 4/6

SHEET 3/6

SHEET 4/6



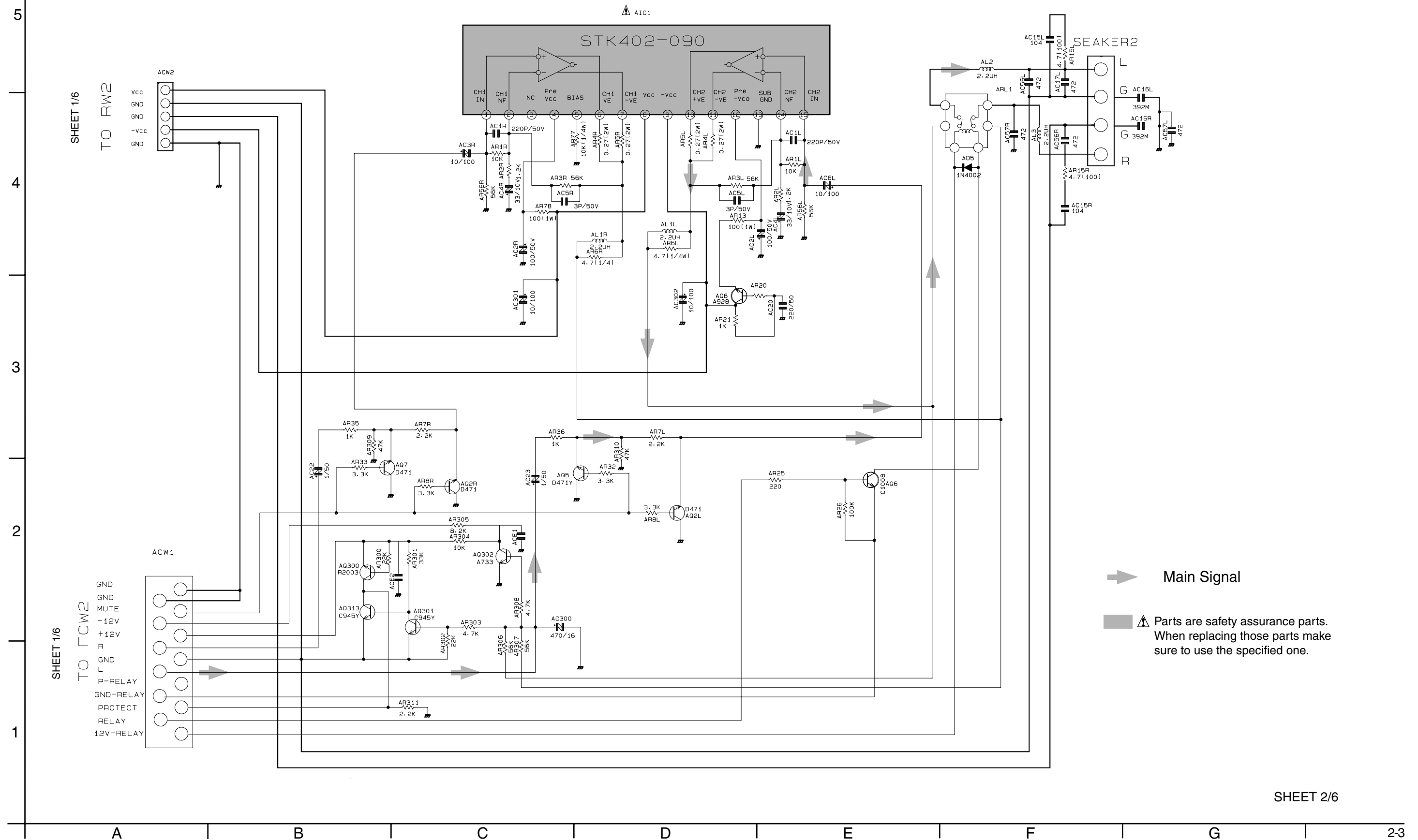
ECO OPTION (E/B/EN/EV/EE)



- TUNER signal
- TAPE REC signal
- TAPE P.B. signal
- CD signal
- MAIN signal

Parts are safety assurance parts. When replacing those parts make sure to use the specified one.

Amplifier section



➔ Main Signal

⚠ Parts are safety assurance parts. When replacing those parts make sure to use the specified one.

Front section

5

4

3

2

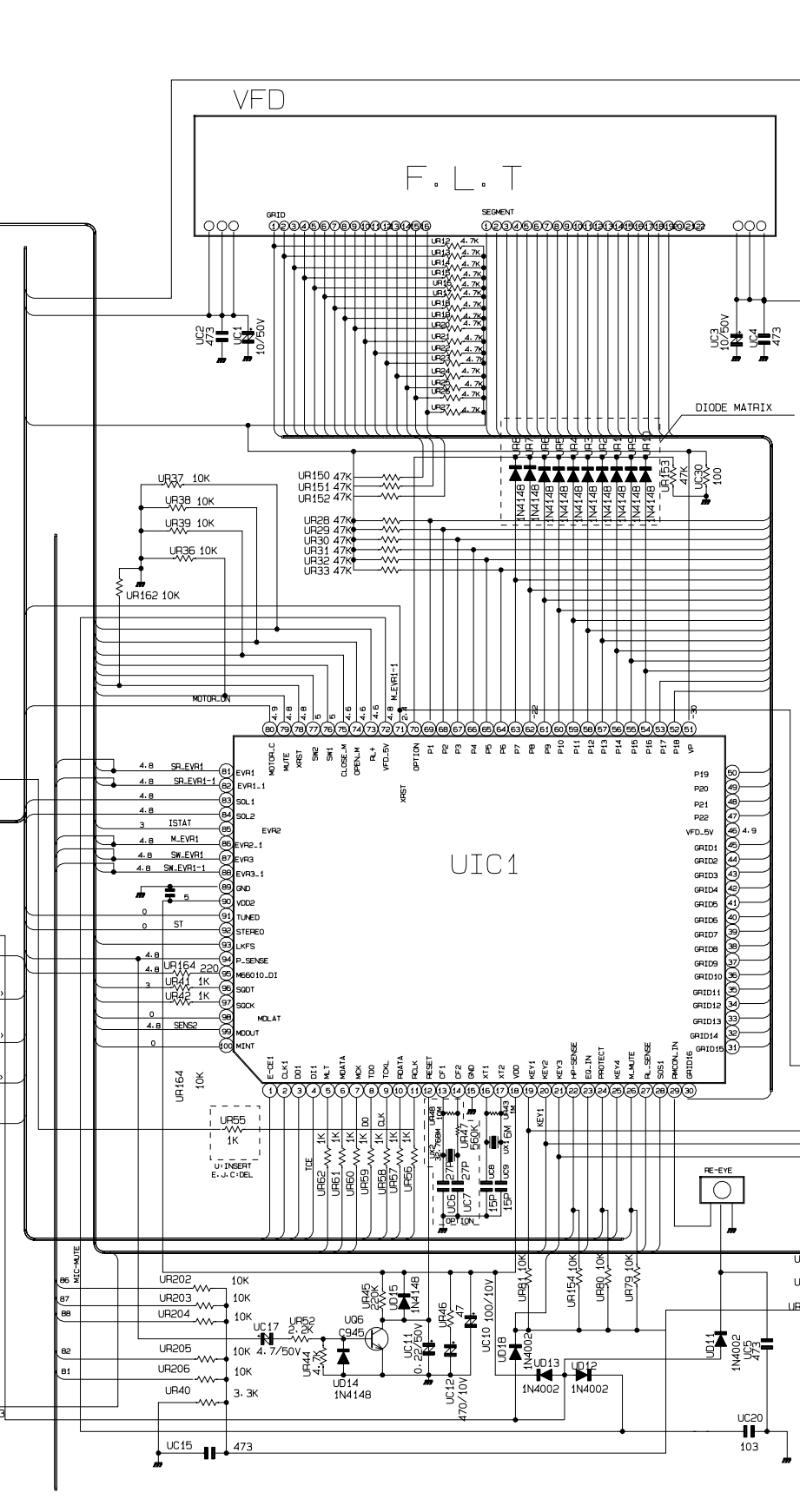
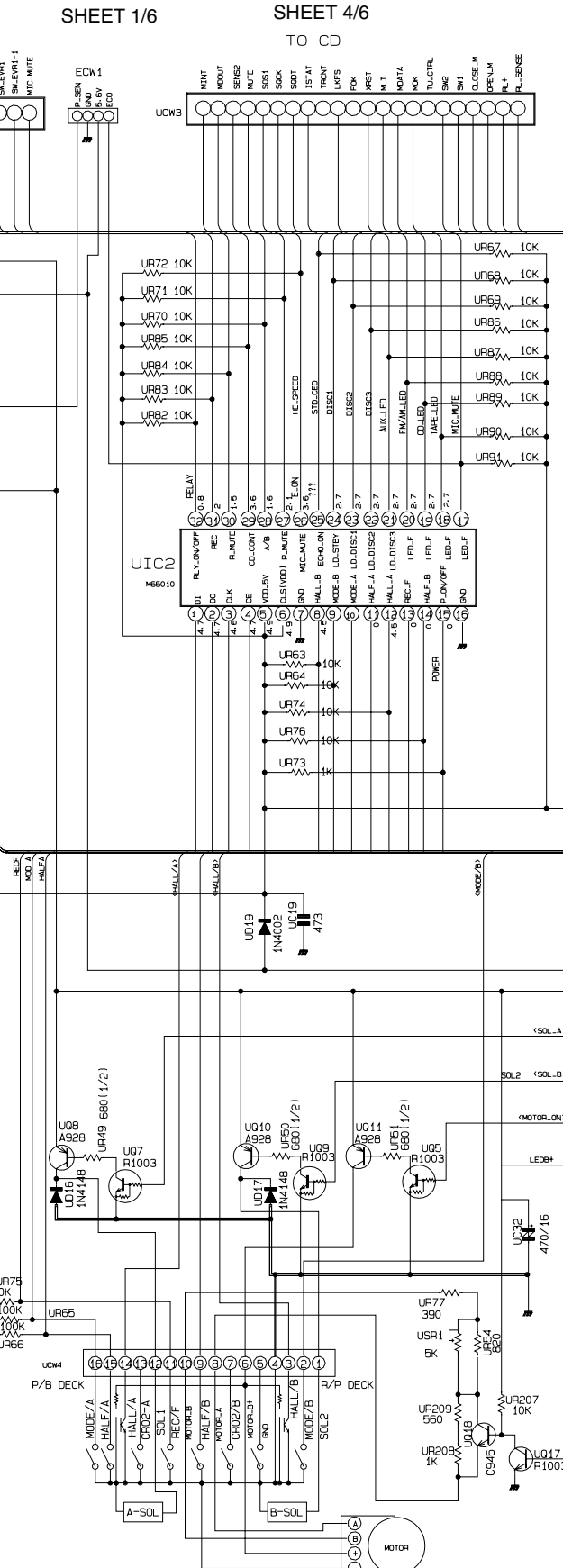
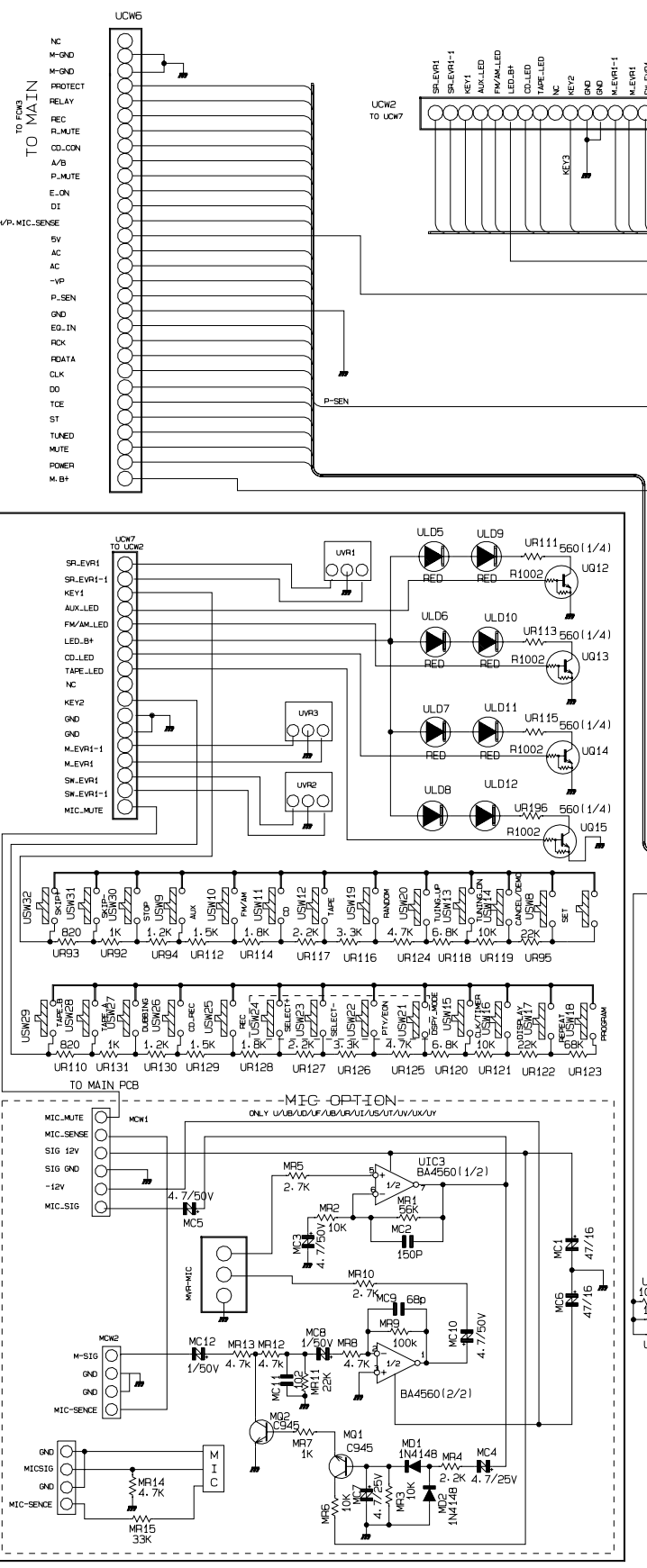
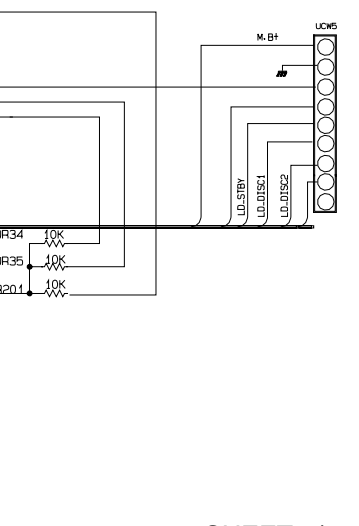
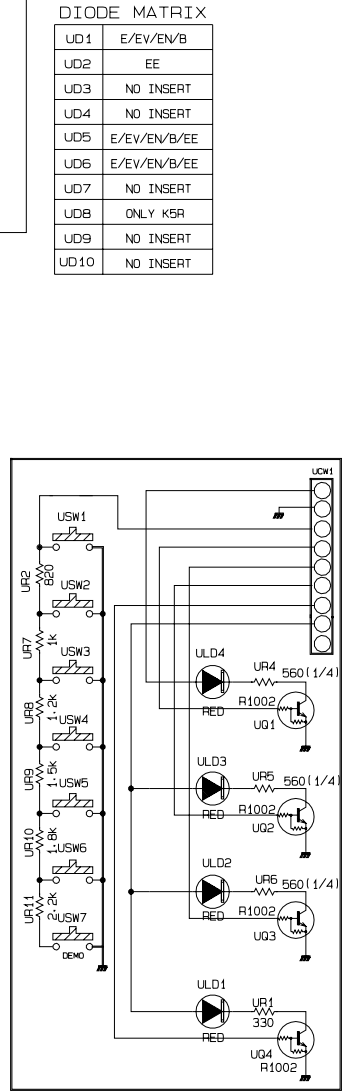
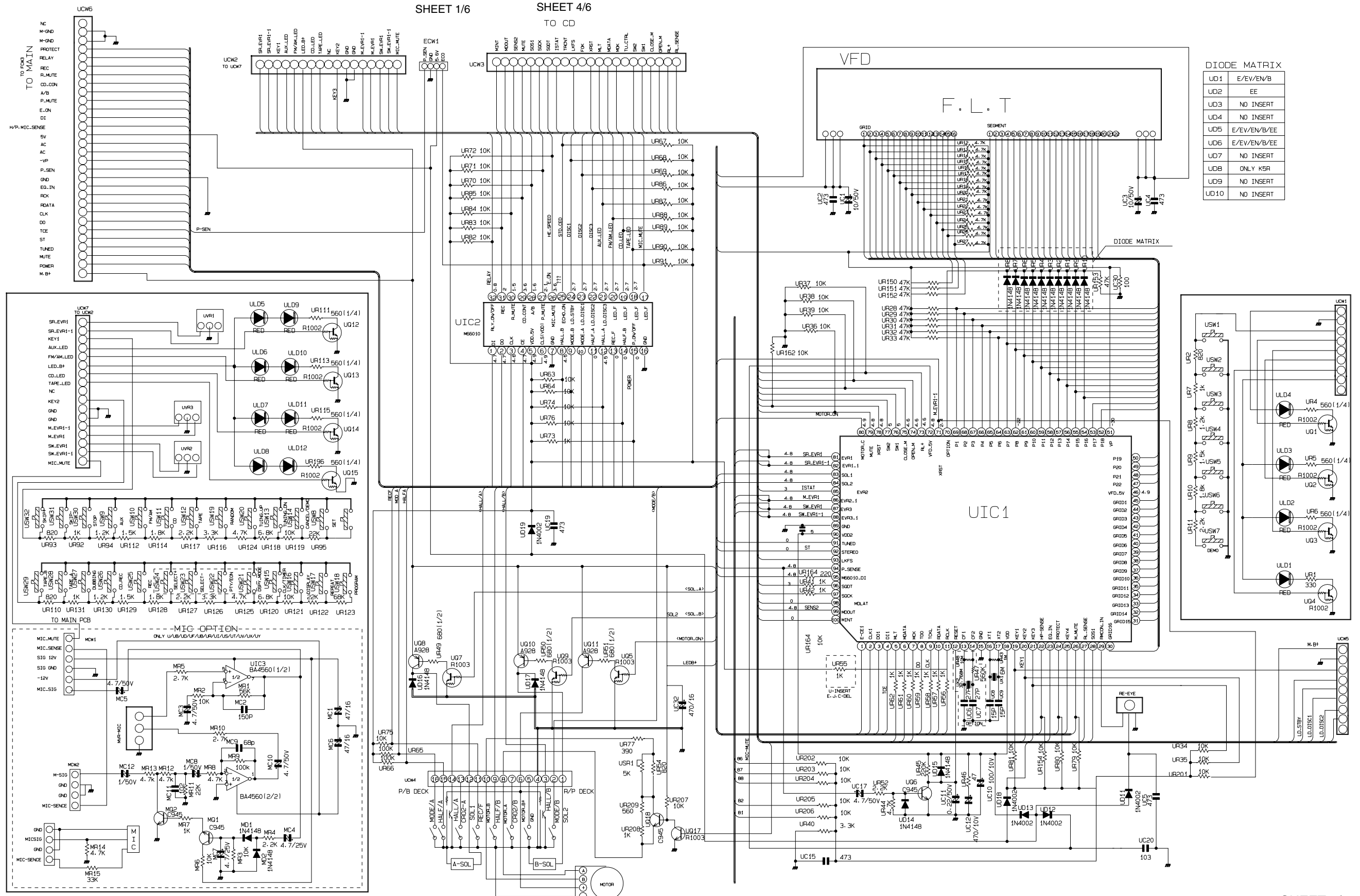
1

SHEET 1/6

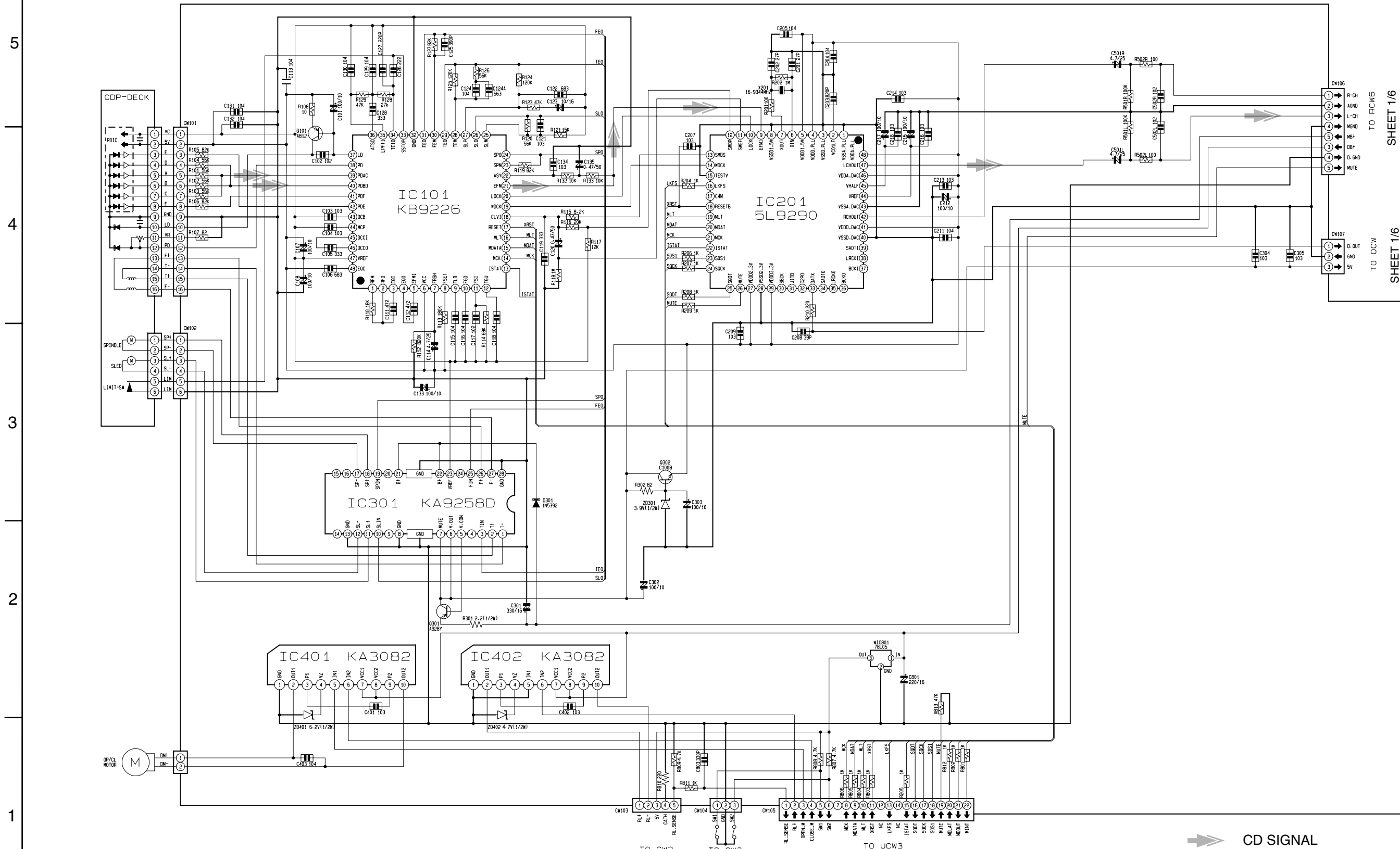
SHEET 1/6

SHEET 4/6

SHEET 3/6



CD section



SHEET 1/6

SHEET 1/6

SHEET 3/6

SHEET 4/6

■ Tuner section (B, E, EN, EV)

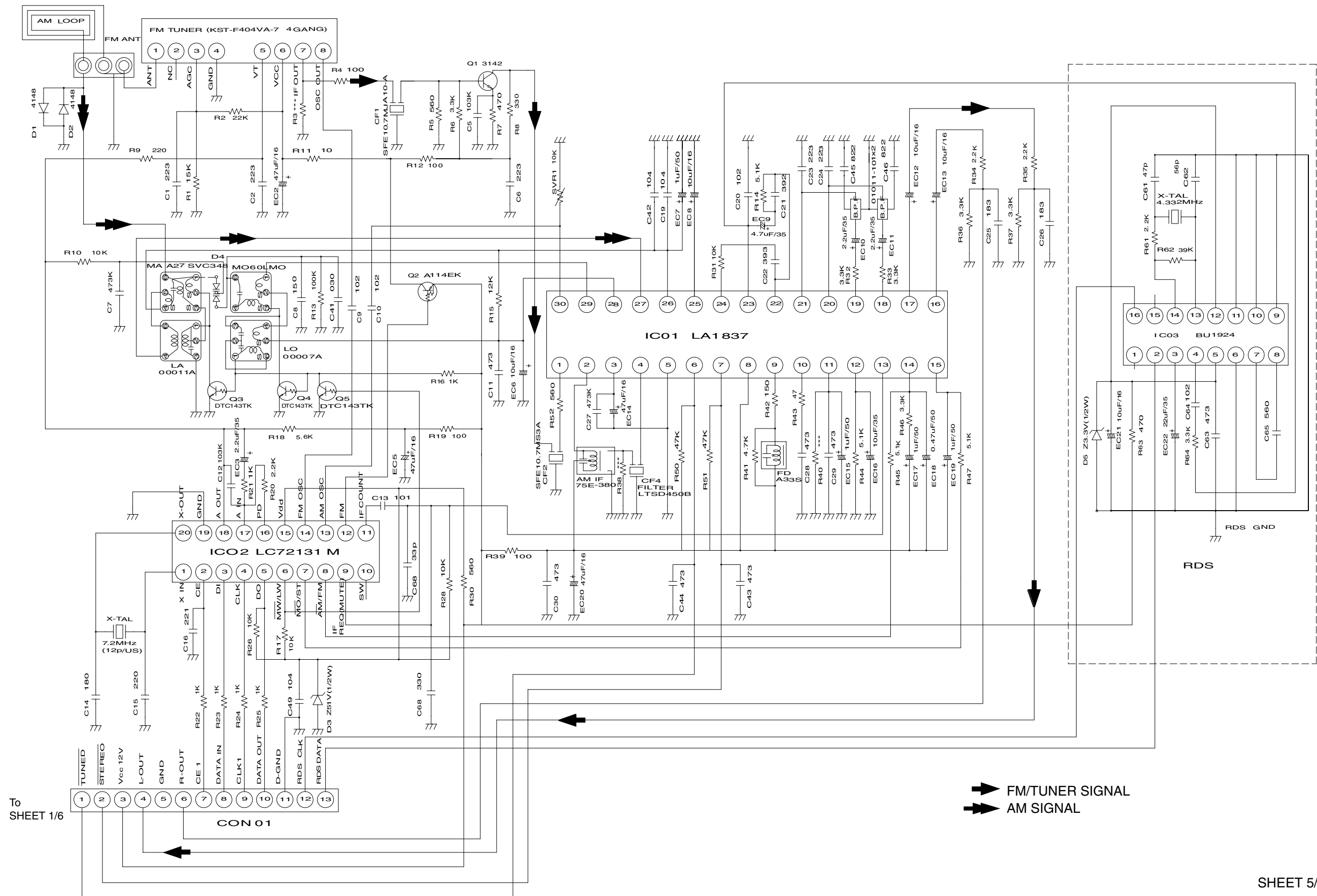
5

4

3

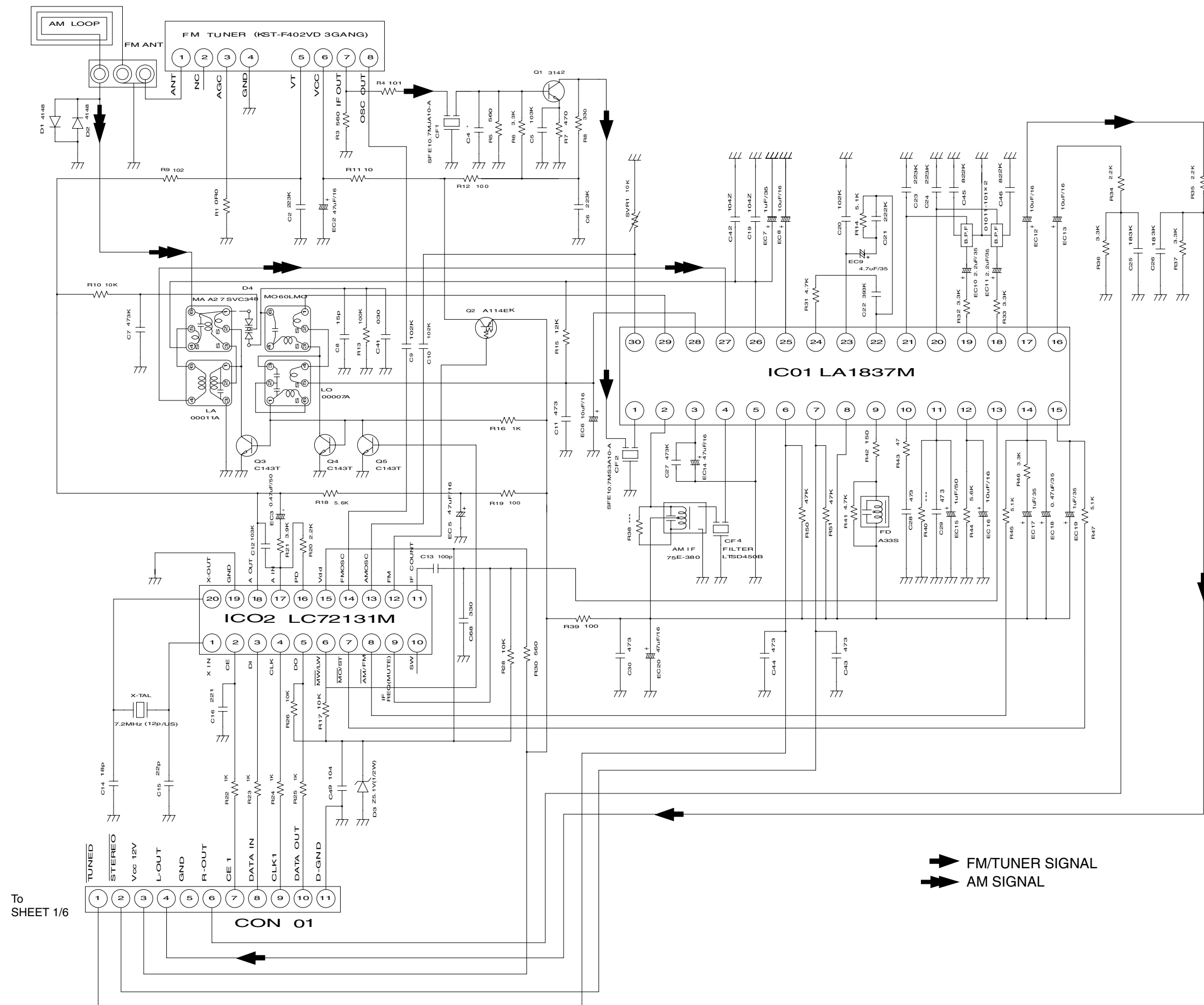
2

1



■ Tuner section (EE Only)

5  
4  
3  
2  
1



➔ FM/TUNER SIGNAL  
➔ AM SIGNAL

To SHEET 1/6

# Printed circuit boards

## ■ Main board

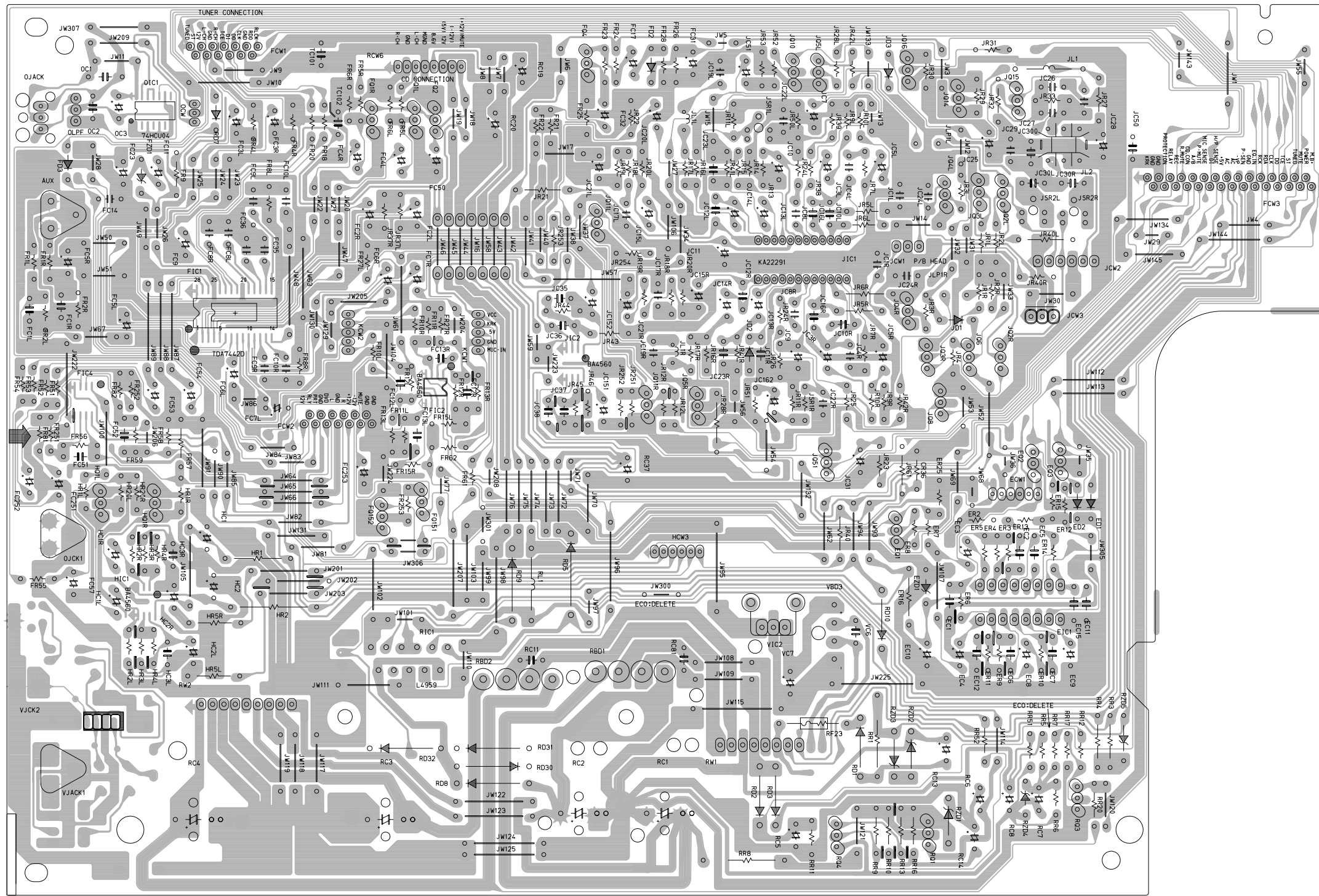
5

4

3

2

1



A

B

C

2-8

D

E

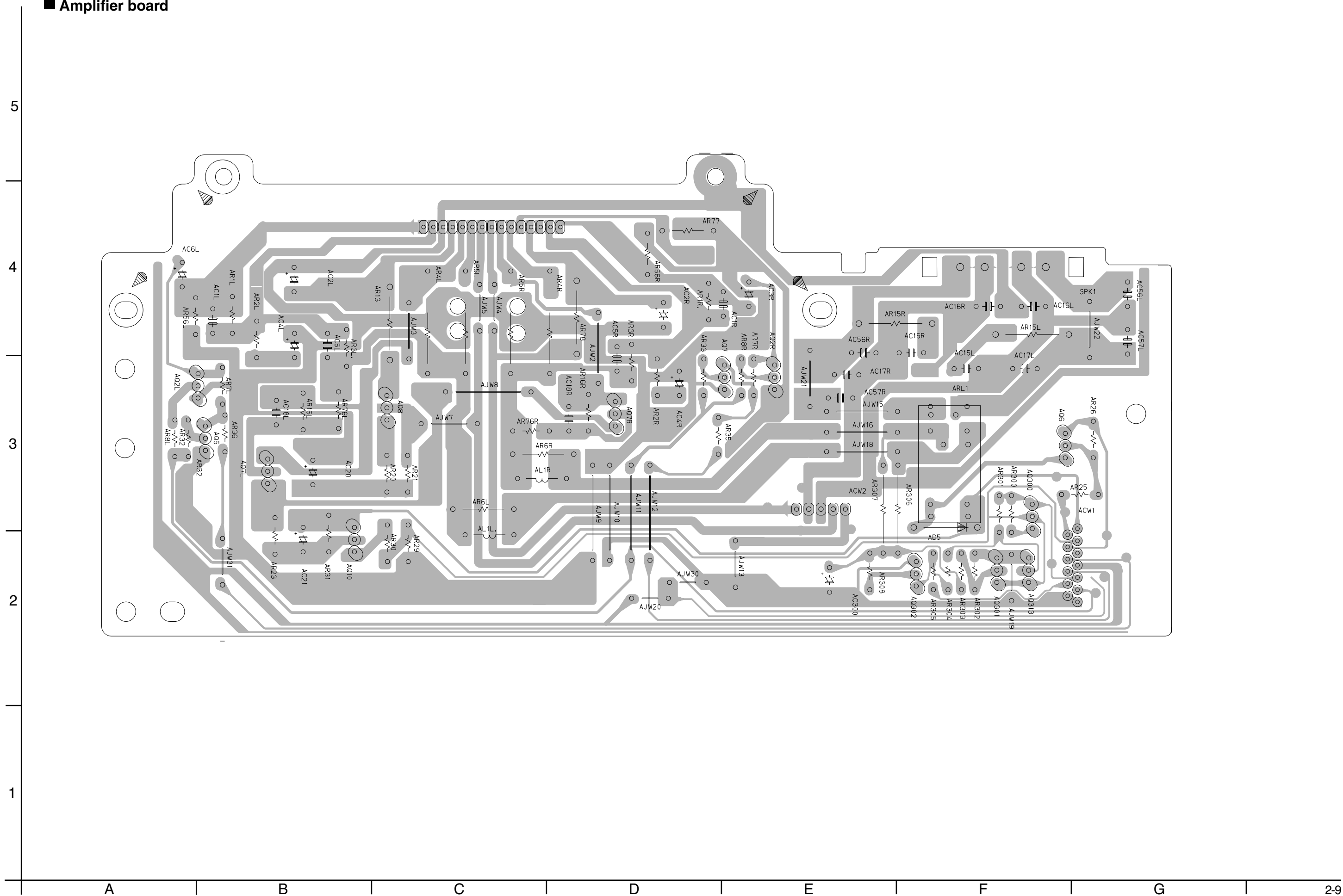
F

G

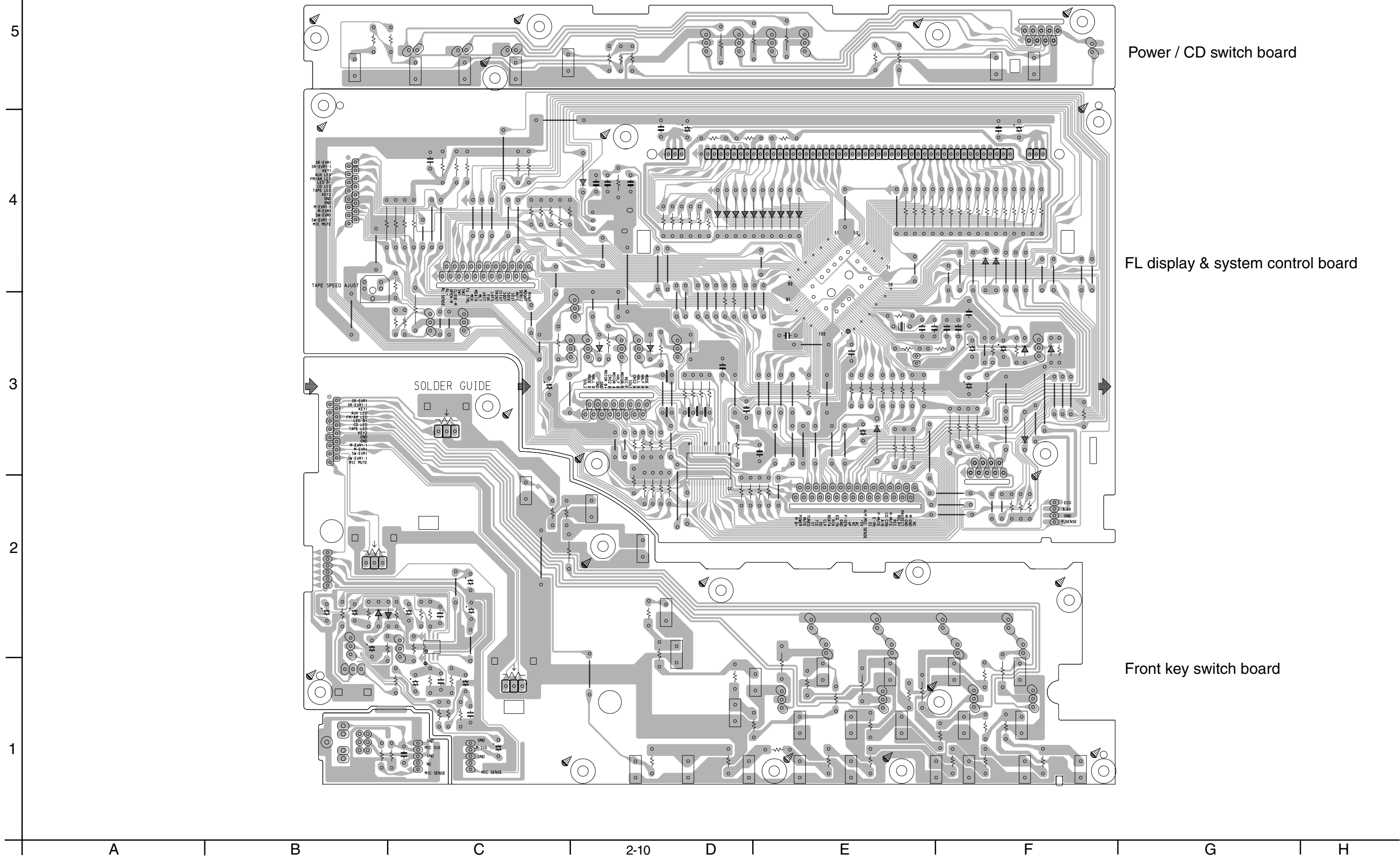
H



■ Amplifier board

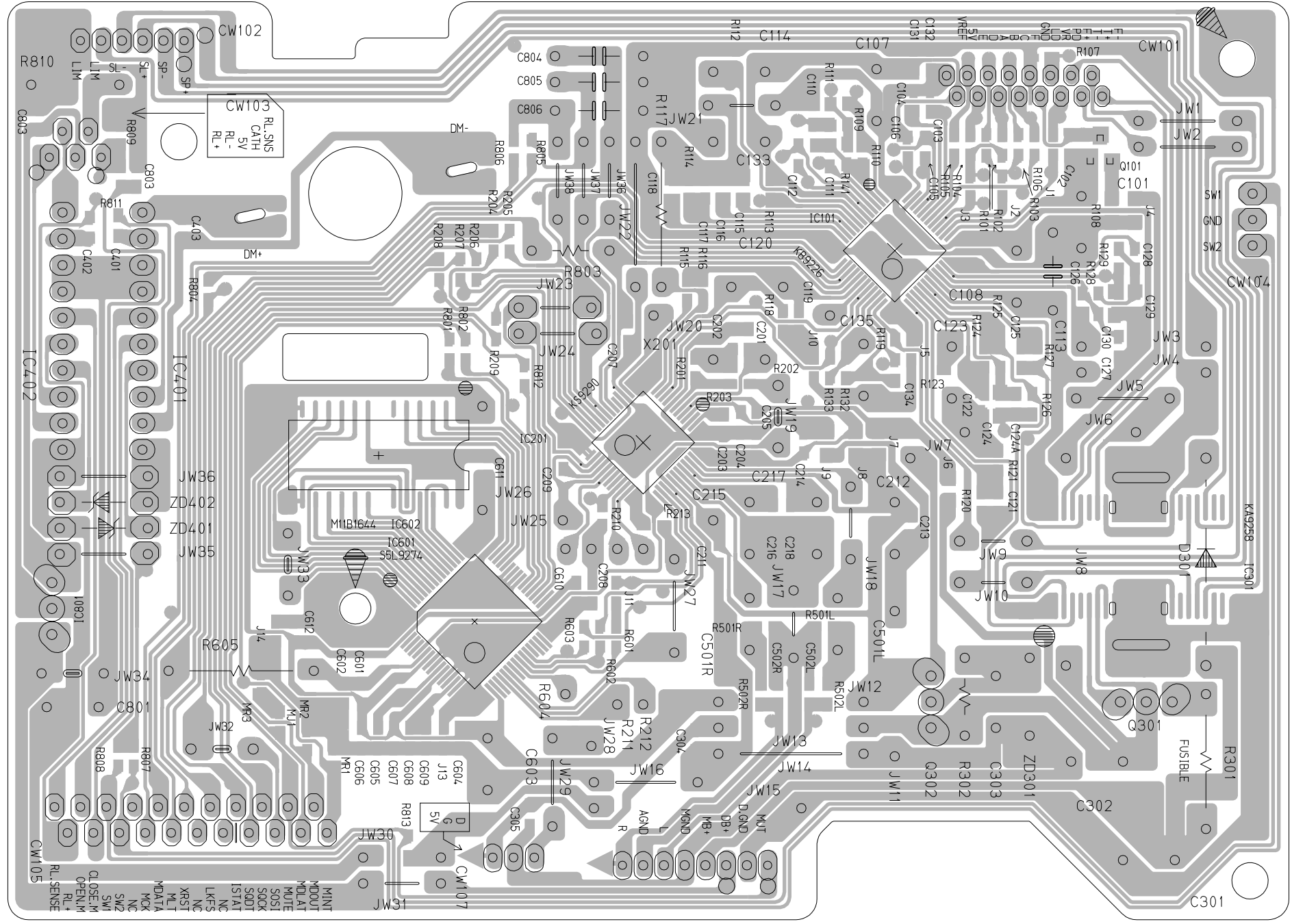


■ Front board



■ CD Servo control board

5  
4  
3  
2  
1

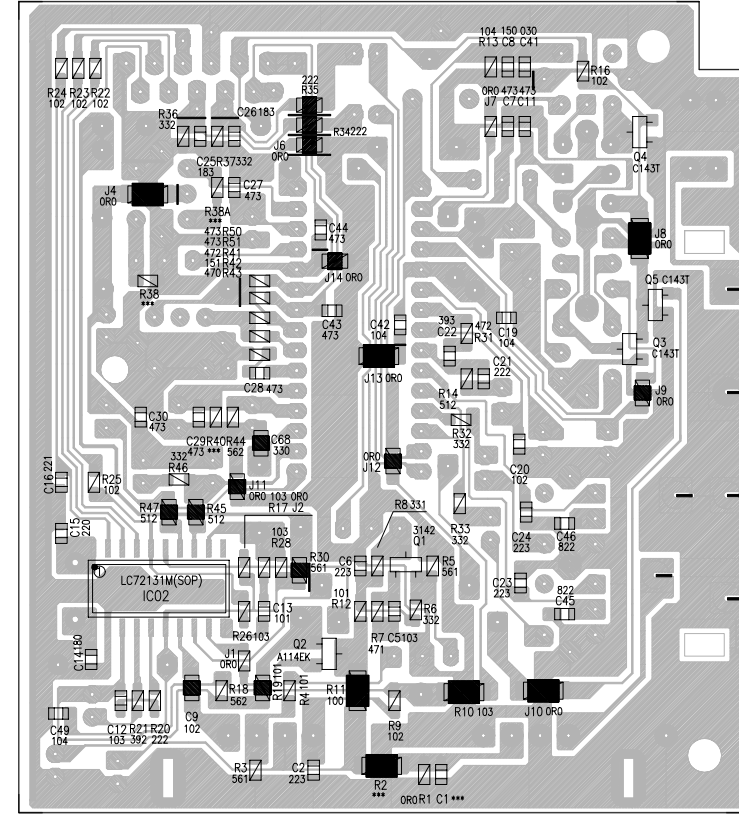
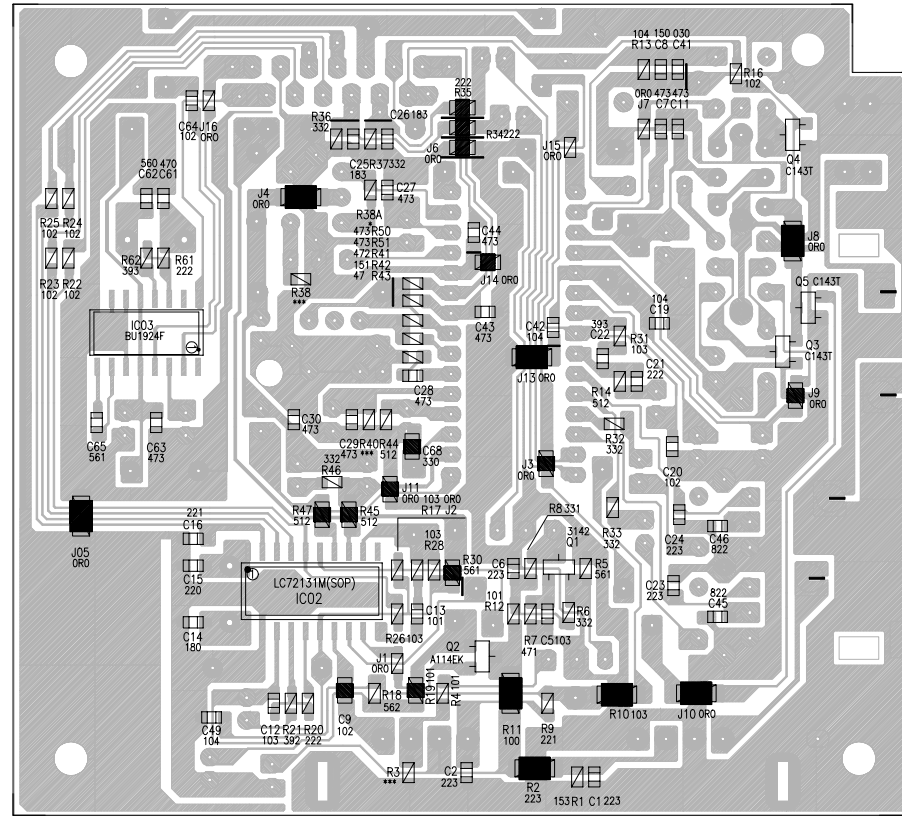


A B C D E F G 2-11

■ Tuner board (B, E, EN, EV)

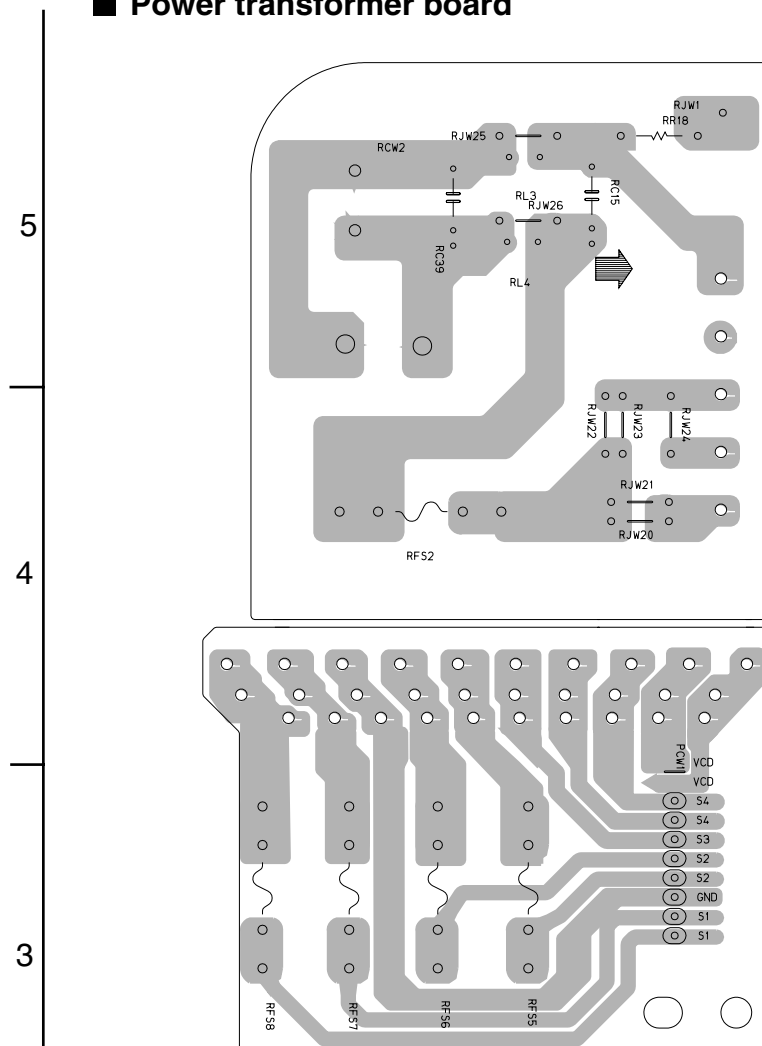
■ Tuner board (EE Only)

5  
4  
3  
2  
1

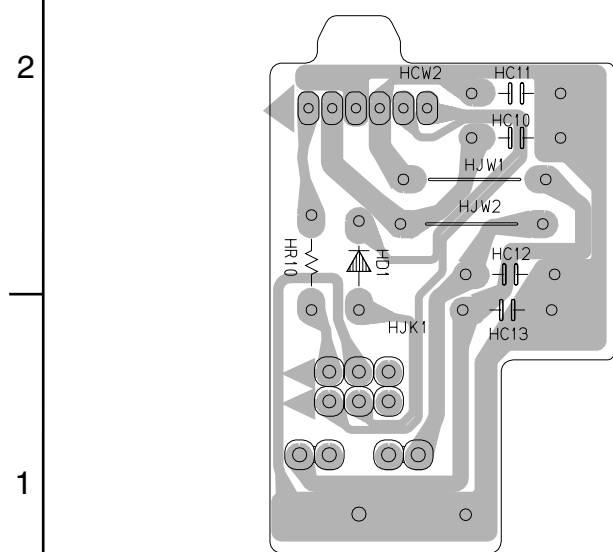


A B C 2-12 D E F G H

■ Power transformer board



■ Head phone board



■ Eco board

